

User manual for SR-2805 RF Dimmer



SR-2805R



SR-2805D

1. Product introduction

SR-2805D is portable rotary RF dimmer with 256 levels logarithmic dimming from 1-100%.
SR-2805R is wall rotary RF dimmer with 256 levels logarithmic dimming from 1-100%.

Simple and friendly use for dimming and switching ON/OFF for 1zone controlled.

2. Performance Parameter

2.1 Remote: (SR-2805D & SR-2805R)

Operation voltage: 3VDC(CR2032 &CR2025)

Operation frequency: 434MHZ/868MHZ

2.2 Receiver:

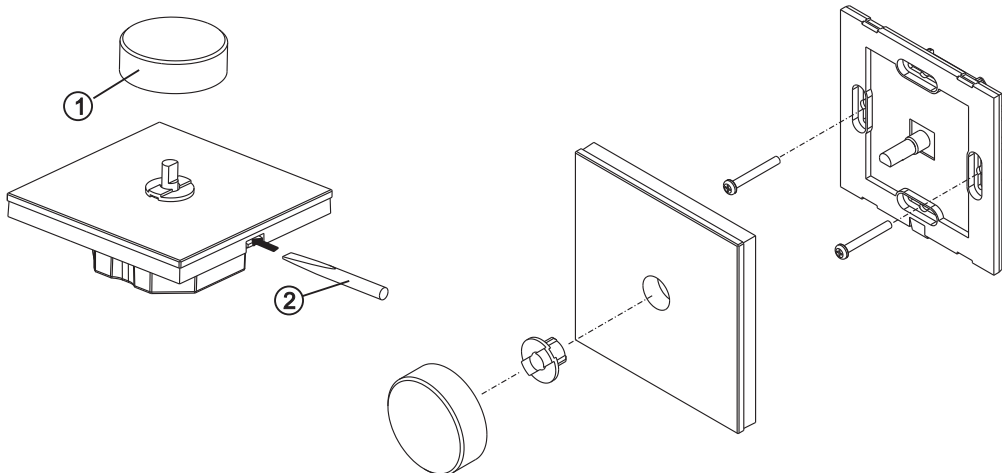
SR-2501:12-36V DC input,4 channels x 5A,constant voltage,4 channels x(60-180)W

SR-2501EA:12-24V DC input,4 channels x 8A,constant voltage,4 channels x(96-192)W

SR-2502:12-36V DC input,4 channels x 350mA,constant current,4 channels x(4.2-12.6)W

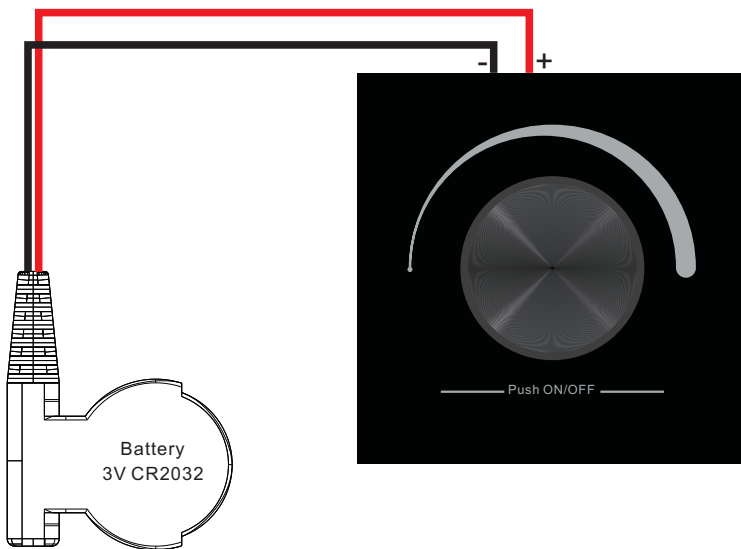
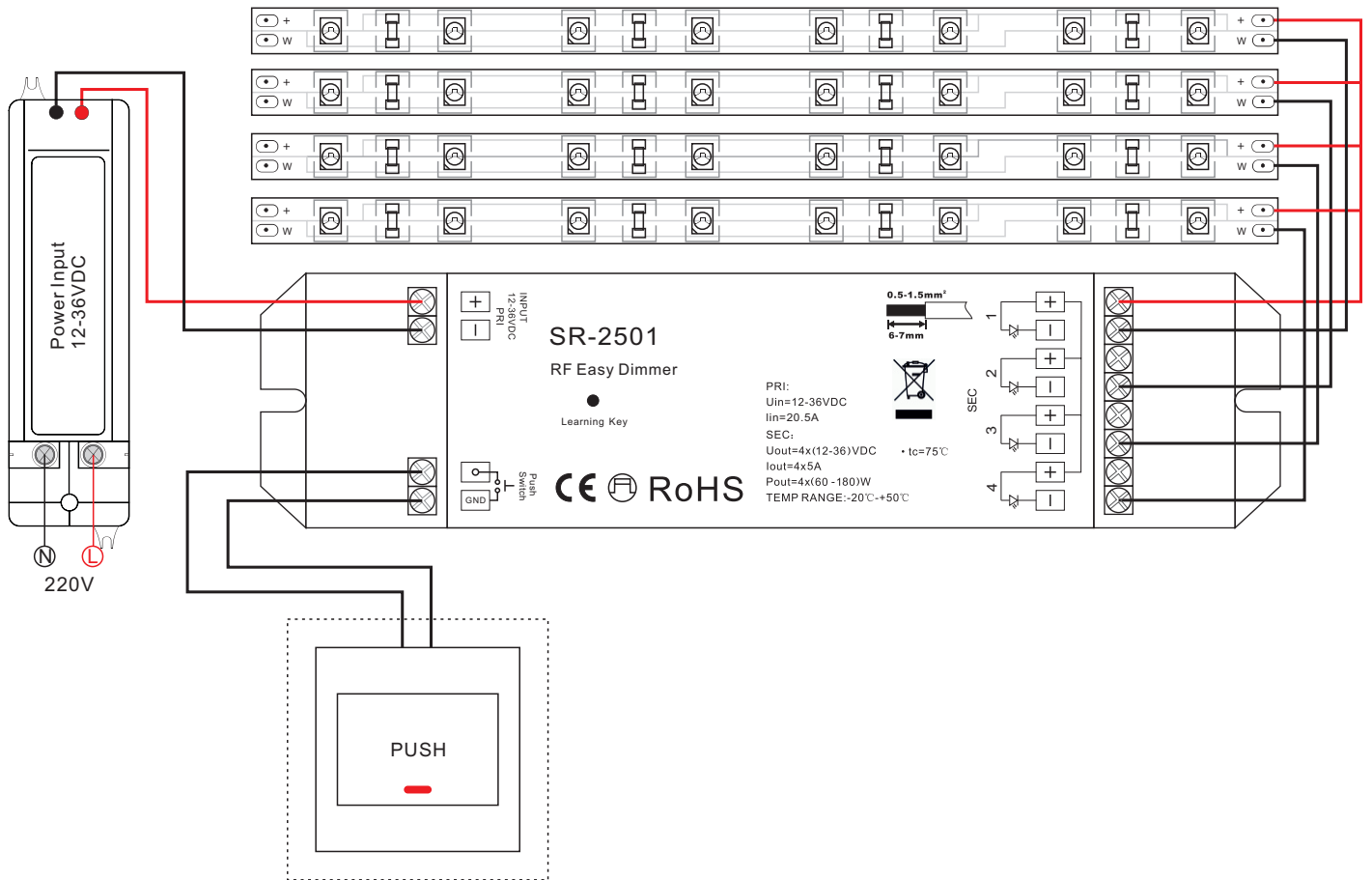
SR-2503:12-36V DC input,4 channels x 700mA,constant current,4 channels x(8.4-25.2)W

3. Installation



SR-2805R

4. Wiring diagram




SR-2805R



SR-2805D

5. Operation Manual

Please pair remote and receiver, after finishing connecting receivers with LED lights correctly, base on diagram above.

4.1 Press shortly the learning Key • on the receiver, then push the rotary button . Once successfully learn, the LED lights will blink on the receiver. Do the same for the other receivers if you use them, you can add as many optional receivers as you want.

4.2 Short push rotary button  to switch ON/OFF

Adjust dim brightness by the rotary button from left to right 1-100%

Adjust dim brightness by the rotary button from right to left 100-1%