

Панель SR-2801K1 (RF-диммер, 1 зона)



FEATURE

- This is a RF Wireless Push Remote, can be wall mounted, or stuck on wall easily by 3M glue.

PARAMETER

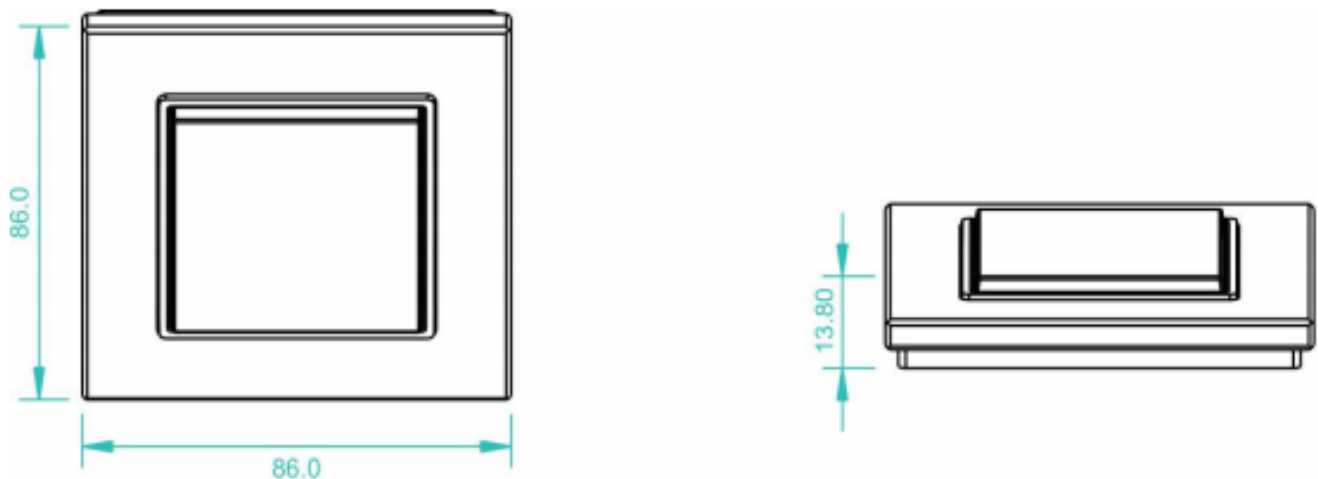
Remote

Part No.	Operation Voltage	Operation Frequency	Remarks
SR-2801K1	3VDC Cr2430 battery	868MHz	RF Wireless

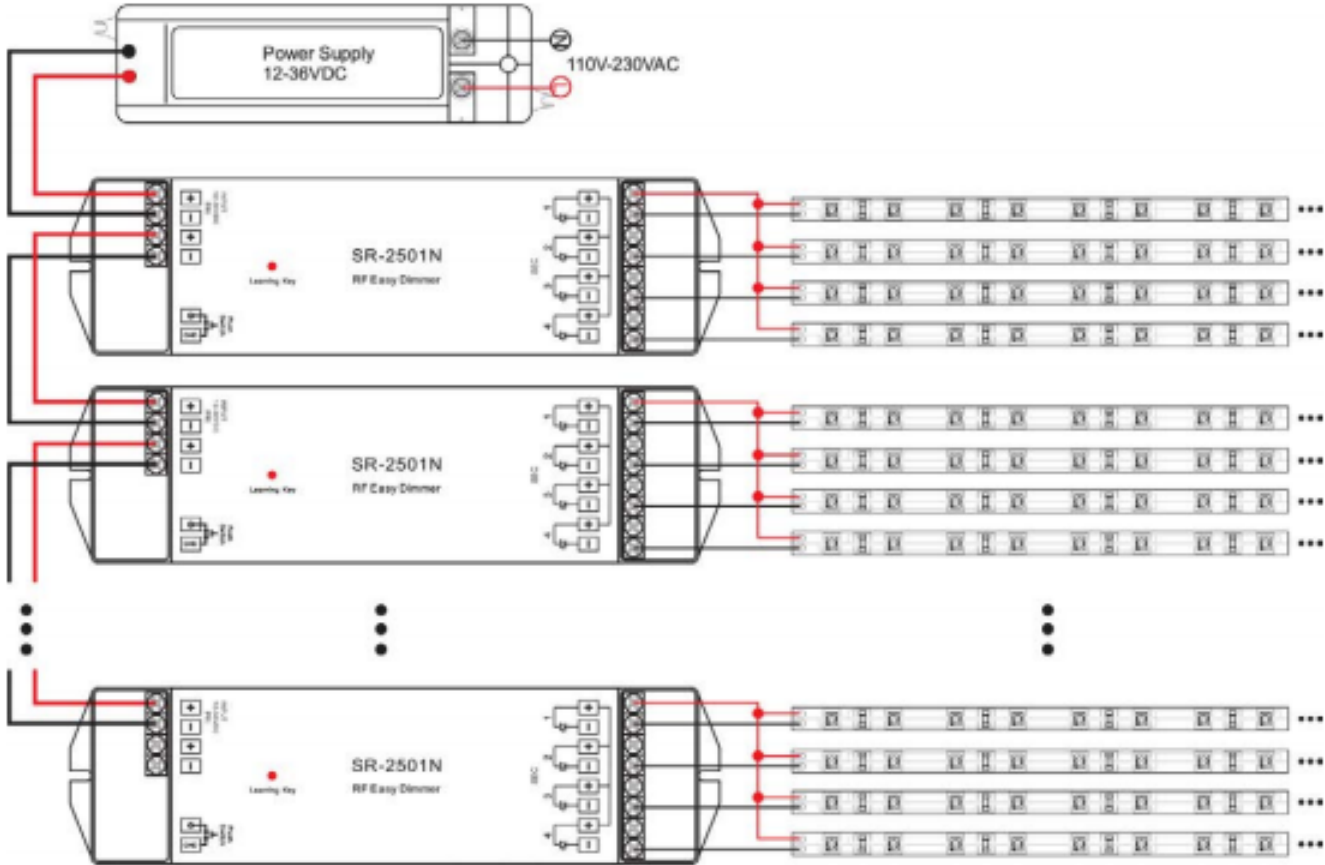
Receiver

Part No.	Iuput Voltage	Current	Output	Remarks
SR-2501N	12-36VDC	4x5A	4x(60-180)W	Constant voltage
SR-2501NEA	12-36VDC	4x8A	4x(96-288)W	Constant voltage
SR-2502N	12-36VDC	4x350mA	4x(4.2-12.6)W	Constant current
SR-2503N	12-36VDC	4x700mA	4x(8.4-25.2)W	Constant current
SR-2501NS	12-36VDC	1x8A	1x(96-288)W	Constant voltage
SR-2502NS	12-36VDC	1x350mA	1x(4.2-12.6)W	Constant current
SR-2503NS	12-36VDC	1x700mA	1x(8.4-25.2)W	Constant current

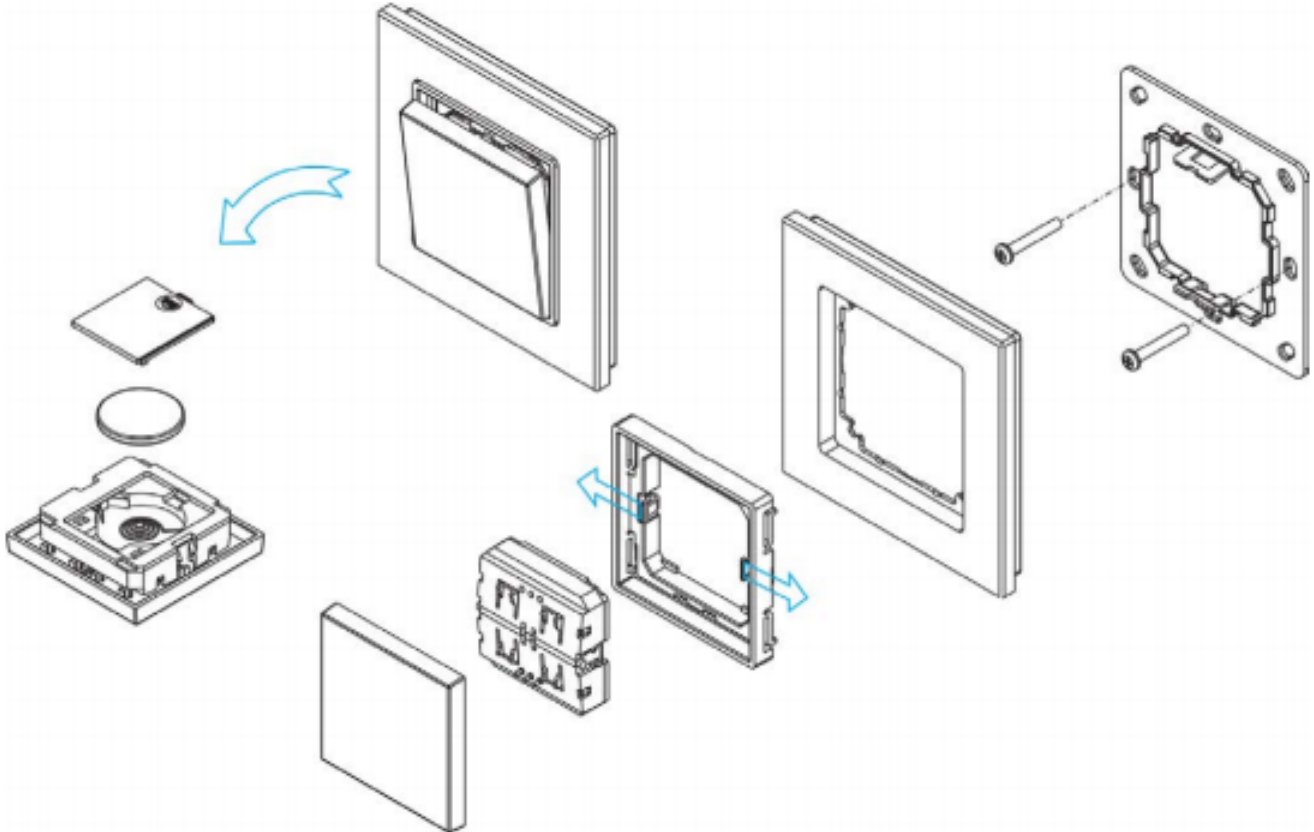
PRODUCT SIZE



WIRING DIAGRAM



INSTALLATION

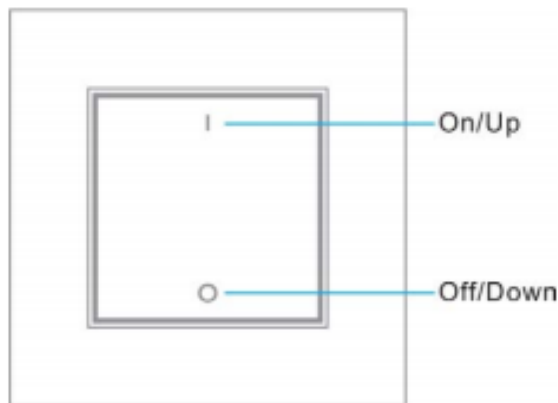


MOUNTING

The key part of this controller is a universal, extremely rotary standard switch element that can be integrated in numerous frames by different manufactures as below list:

BEKER	S1, B1, B3, B7 glass
GIRA	Standard55, E2, Event, Esprit
JUNG	A500, Aplus
MERTEN	M-smart, M-Arc, M-Plan

OPERATION



1. Pairing with remote: connect well receiver, press learning key on receiver, then immediately push "I" or "O", the led will flash, means well paired. One remote can pair with endless of receivers, to control in sync.
2. Short press "I" for ON, long press for turn Up brightness.
Short press "O" for OFF, long press for turn Down brightness.
3. If you want delete the receiver's learning data, just long press for 5 seconds the learning key on receiver, the receiver will be deleted the learning, be set as factory defaults.

SAFETY & WARNINGS

1. The product shall be installed and serviced by a qualified person.
2. IP20. Please avoid the sun and rain. When installed outdoors, please ensure it is mounted in a water proof enclosure.
3. Always be sure to mount this unit in an area with proper ventilation to avoid overheating.
4. Please check if the output voltage of any LED power supplies used comply with the working voltage of the product.
5. Never connect any cables while power is on and always assure correct connections to avoid short circuits before switching on.
6. Please ensure that the cable is secured tightly in the connector
7. For update information please consult your supplier.