

Product Specifications

Name: LED Touch Controller

Model: CT313



Summarization

This product is a novel LED controller developed by our company which can realize multistage touch dimmer. Adopting advanced touch design, through the panel controller combined with touch remote way, realize flexible control. Touch remote has good performance, beautiful, fashion, easy to use. This product suit for every occasions, such as: point light source, flexible strip, wall washer lamp, glass curtain wall light and such lighting controller.

Technical Parameters

Controller

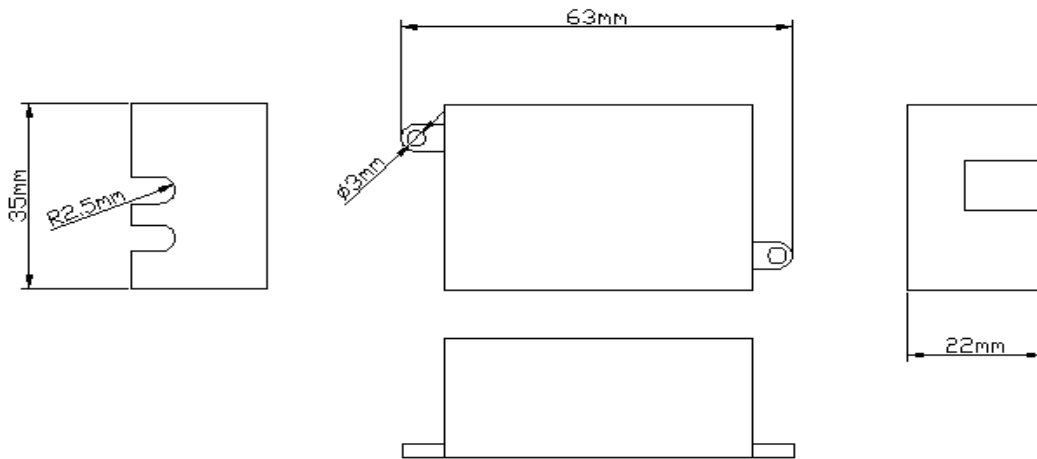
- working temperature: -20-60°C
- supply voltage: DC5V, 12V-24V optional (specify the required voltage on orders)
- output: 3 channels
- Transmission/receiving frequency: 433.92MHz
- controller dimension: L50 X W35 X H22mm
- remote control dimension: L85 X W52 X H11mm
- packing size: L103 X W63 X H41 mm
- net weight: 27.5g
- gross weight: 77.9g
- static power consumption: <1W
- output current: <2A (each channel)
- output power: 5V:<30W, 12V:<72W, 24V:<144W

Touch remote

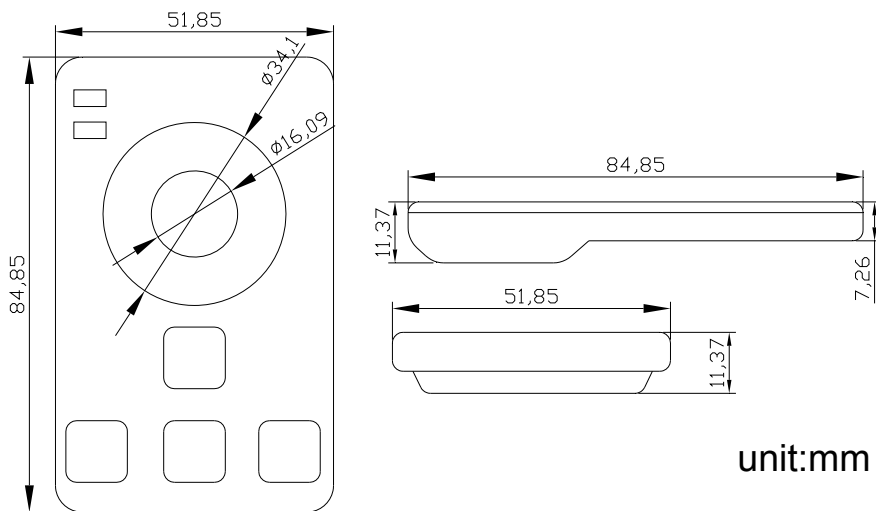
- working temperature: -20-60°C
- power supply mode: 28*8mm battery

- supply voltage: 12V
- static power consumption: 0.036mW
- standby current: 3uA
- work current: 300uA
- emission current: 10mA
- remote distance: 30m
- standby time: 6 months

Controller External Dimension:



Remote Control External Dimension:



Interface Specification

Power input interface:



Adopt conventional DC power transposon as power input interface, and equip with DC plug.

Load output interface:



Adopt four sheath wires as connecting wires, **remark: black wire**→ + **red wire**→R
green wire→G **yellow wire**→B

Changes of M key on the touch remote as below:

Mode number	Function	Remark
1	Static red	brightness is adjustable, Speed is unadjustable
2	Static green	
3	Static blue	
4	Static yellow	
5	Static purple	
6	Static blue-green	
7	Static white	
8	Three color jumpy changing	Speed is adjustable, brightness is unadjustable
9	Three color gradual changing	Speed is adjustable, brightness is unadjustable
10	Seven color jumpy changing	Speed is adjustable, brightness is unadjustable
11	Seven color gradual changing	Speed is adjustable, brightness is unadjustable

Direction for use:

Connect the load wire at first, following by the power wire; **Please ensure short circuit can not occur between connecting wire before you turn on the power;**

1. There are Touch remote have 64 touch key, each keys function below:



: you can turn on/off controller output at any state;



: mode switch button, you can switch different change mode, altogether 4 kinds of dynamic mode; when in static mode. It can switch to dynamic mode;



: the output signal brightness or speed control, every time you press this button, the brightness or speed series add 1, altogether 100 levels;



: the output signal brightness or speed control, every time you press this button, the brightness

or speed series minus 1, altogether 100 levels;



: static mode choose key, up to 60 touch points.

2. Power supply management: when remote control is under untouchable state for more than 20s, it will enter the standby state, slightly shake the remote control, then it can be used

3. controller mode choice change are as follows:

Mode No.	Function	Remark
1~60	1~60kinds of static change (red, green, blue, purple, cyan, orange and so on)	brightness is adjustable, Speed is unadjustable
61	Three color jumpy changing	Speed is adjustable, brightness is unadjustable
62	Three color gradual changing	
63	Seven color jumpy changing	
64	Seven color gradual changing	

Typical Application

